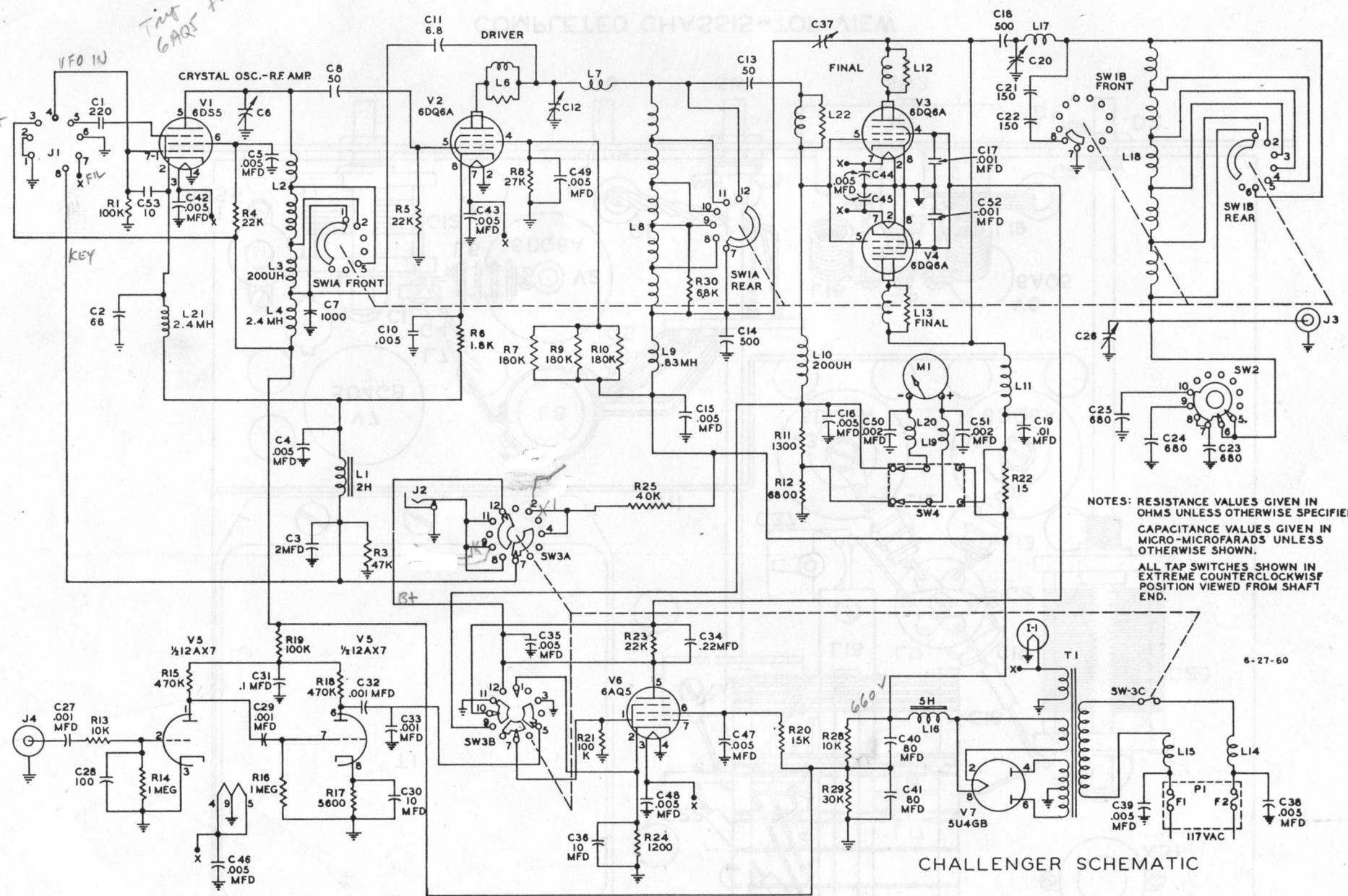


Handwritten: VFO IN
 TAP FOR SILENCE
 6AQ5

FIGURE F



NOTES: RESISTANCE VALUES GIVEN IN OHMS UNLESS OTHERWISE SPECIFIED.
 CAPACITANCE VALUES GIVEN IN MICRO-MICROFARADS UNLESS OTHERWISE SHOWN.
 ALL TAP SWITCHES SHOWN IN EXTREME COUNTERCLOCKWISE POSITION VIEWED FROM SHAFT END.

6-27-60

FIGURE F

CHALLENGER SCHEMATIC